



INSECTICIDE DELIVERY SYSTEM



! IMPORTANT:
Completely read this Operation Manual before use. Failure to do so could result in injury.

Operation Manual

SEE INSIDE BACK COVER FOR WARRANTY & REPAIR INFORMATION

developed by:  distributed by: 



COMPLETELY READ this Manual carefully before use and, strictly observe all product label directions and the specific safe practice recommendations for each item of equipment. This equipment is designed solely for use by ranchers experienced in handling and applying livestock insecticides AND with the Huvepharma's AiM range of compatible VetCap products.

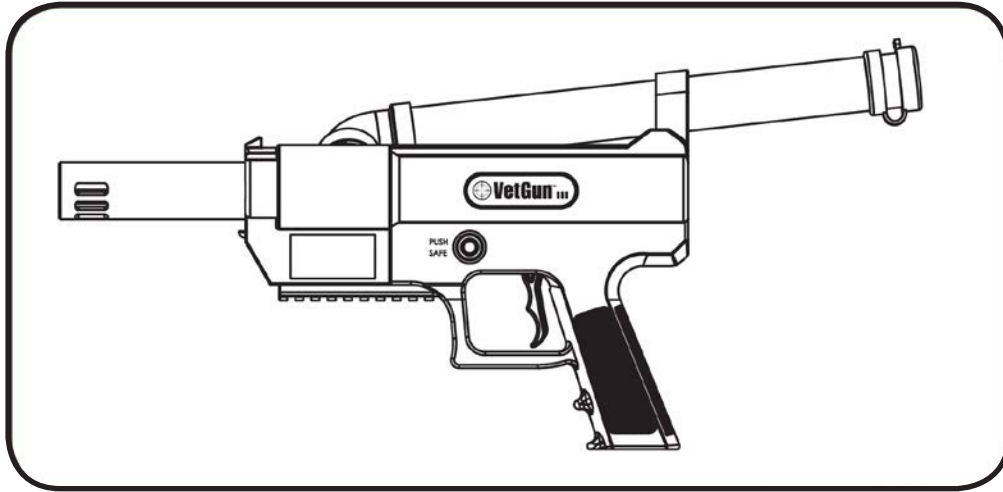
Do not use the VetGun to fire any other type of projectile.

Also read label of AiM VetCaps product being used with VetGun.



This safety alert symbol indicates important safety messages in this Manual. When you see this symbol, be alert to the possibility of personal injury and carefully read the message that follows.

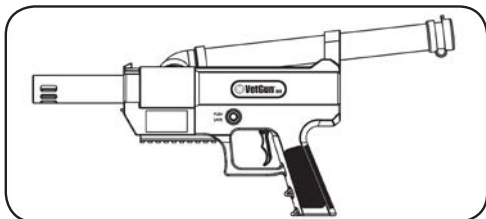
For more VetGun information, visit www.huvepharma.us/vetgun or www.smartvet.com



Contents

Overview	4
Preparing VetGun	5
Preparing Herd	7
Using VetGun	7
Application	8
Unloading & Degassing	8
Storage	9
Cleaning & Lubrication	9
Troubleshooting	10
Warranty & Repairs	11

OVERVIEW



VETGUN

The VetGun Insecticide Delivery System relies on a pressure regulated pneumatic design to launch Insecticide VetCaps in semi-automatic fashion. This valve system is self-cocking and very simple to maintain.

CO₂

The VetGun is powered by compressed carbon dioxide gas. CO₂ is available in small disposable cartridges or larger refillable cylinders of the type used in the sport of paintball.

Disposable CO₂ cartridges are designed for single-use operation and cannot be re-used once they have been emptied.

This VetGun comes with:

A) 25g Adaptor (2 pieces) suitable for 25g disposable CO₂ cartridges (25+ shots/cartridge), and

B) 90g Adaptor (1 piece) suitable for 90g disposable CO₂ cartridges (80+ shots/cartridge).

Note: cartridges sold separately.

Refillable CO₂ cylinders are available in a variety of sizes, with a greater storage capacity than the disposable cartridges. Additionally, integrated valves allow full or partially full cylinders to be removed from the VetGun for storage and re-attached later to make use of the remaining CO₂.

C) 14oz refillable CO₂ cylinders are also available for optional purchase, better suited for larger herd sizes (390+ shots/cylinder). The Cylinder is sold empty and requires filling*. No adaptor is required, it screws directly onto the VetGun.

*Due to transportation regulations, refillable CO₂ cylinders are always shipped empty and must be filled before use. Cylinders may be filled at many stores where paintball supplies are sold or by using a CO₂ fill station and bulk CO₂ cylinders from a welding gas supplier.

VetGun CO₂ options available

A. **25g Disposable Cartridge**
(unthreaded- uses 25g Adaptor)



B. **90g Disposable Cartridge**
(threaded- uses 90g Adaptor)



C. **14oz Refillable Cylinder**
(threaded, no adaptor required)



HPA (HIGH PRESSURE or COMPRESSED AIR)

VetGun3 is also capable of working off HPA, however HPA-specific tanks are required. Please consult your local HPA or PAINTBALL supplier.



IMPORTANT:

The VetGun's pneumatic trigger does not function when the VetGun is not charged with gas. Pulling the trigger of a de-gassed VetGun too hard in an attempt get a feel for the trigger pull may result in damage to the pneumatic trigger.

VETCAPS

The VetGun Insecticide Delivery System is designed to launch only AiM compatible VetCap products. Before operating this VetGun, ensure you have read and familiarised yourself with the AiM VetCaps Label and Instructions in addition to the reading of this Operation Manual.



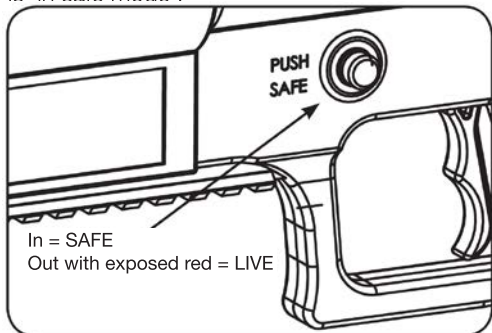
WARNING:

Launching any other projectiles not specifically approved by SmartVet may result in damage to the VetGun or injury to cattle or the operator.

PREPARING VETGUN

SAFETY MODE

Before manually handling VetGun for any reason, always ensure the trigger Safety Catch is 'in safe mode'.



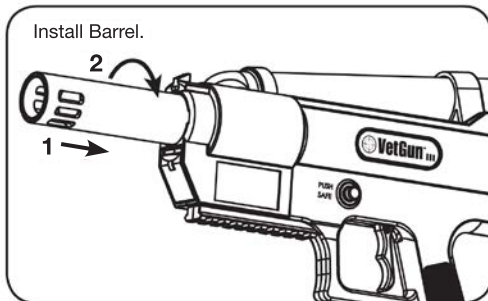
On left side of VetGun, fully depress Safety Catch so RED section of button no longer visible. VetGun is now in 'safety mode'. When ready to operate VetGun, depress Safety Catch from right side of VetGun. The visible RED section of button indicates VetGun trigger is 'live' and no longer in safety mode.



- Do not load the VetGun until in the field and preparing for use. The VetGun should always be de-gassed and unloaded for storage or transport.
- Always wear protective safety glasses and gloves when preparing; loading; using; unloading; degassing; cleaning or lubricating your VetGun.

INSTALL BARREL

1. Using alignment nodes on barrel, insert barrel into main body housing.
2. Give a ¼-clockwise turn until barrel clicks into place.



INSTALLING CO₂ (sold separately)

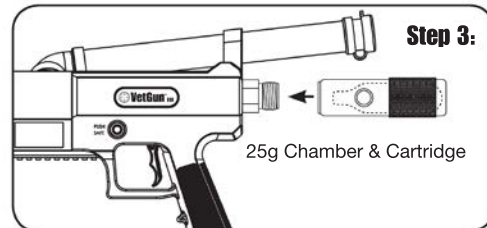
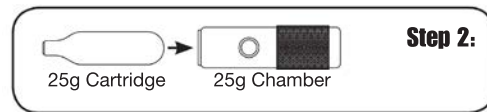
Installation of CO₂ to your VetGun depends on what size and format of CO₂ you plan to use.

A. Using 25g disposable (unthreaded) prefilled cartridge (with 25g Adaptor Unit)

The 25g Adaptor Unit supplied with this VetGun has 2 parts -the ASA Converter; and the Chamber. Firmly thread the ASA Converter into the VetGun ASA located beneath handle until tight. Only tighten by hand. Slide 1x25g unthreaded cartridge into Chamber.

Thread Chamber containing 25g cartridge into the ASA Converter and turn it tight, until the

Using 25g Disposable Cartridge



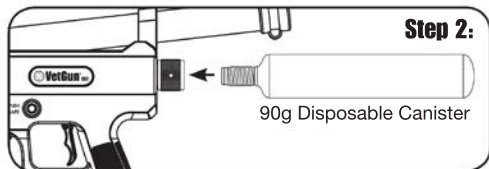
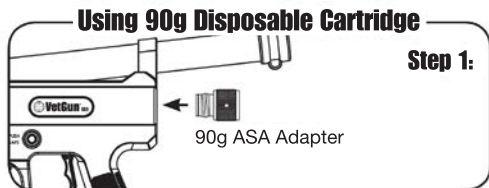
CO₂ can be heard rushing into the VetGun. Note: as the ASA Converter pierces the 25g cartridge, turning too slowly or not tightening sufficiently may cause excessive CO₂ to escape unnecessarily. Only tighten by hand. When unloading gas, please refer to UNLOADING/DEGASSING instructions on Page 8. To reload a new cartridge, repeat steps 2 & 3.

B. Using 90g disposable (threaded) prefilled cartridges (with 90g Adaptor):

If choosing to use this CO₂ format; select the 90g ASA Adaptor supplied in VetGun box.

Thread the 90g ASA Adaptor into the VetGun ASA located beneath handle until tight. Thread 90g (threaded) cartridge into the ASA Adaptor and turn it tight, until the CO₂ can be heard rushing into the VetGun. Note: as the ASA Adaptor Converter pierces the 90g cartridge, turning too slowly or not tightening sufficiently may cause excessive CO₂ to escape unnecessarily. Only tighten by hand. When unloading gas, please refer to UNLOADING/DEGASSING instructions on Page 8.

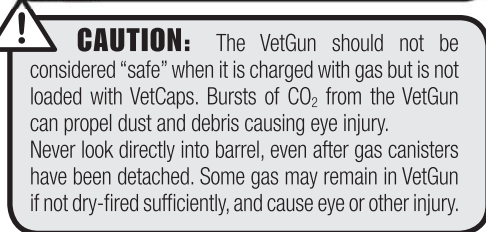
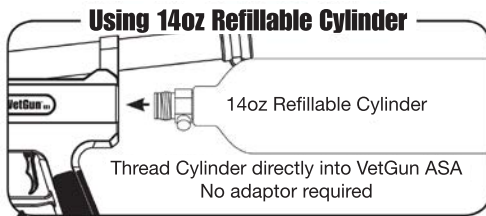
To reload a brand new canister, repeat Step 2. To reload a partially used canister, refer to UNLOADING/DEGASSING instructions on Page 8.



C. Using 14oz Refillable Cylinder (no adaptor required. CO₂ cylinder sold empty and must be filled before use):

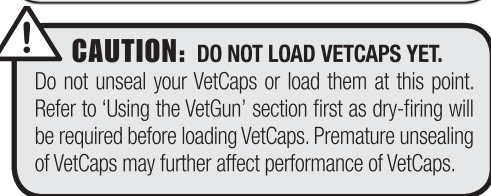
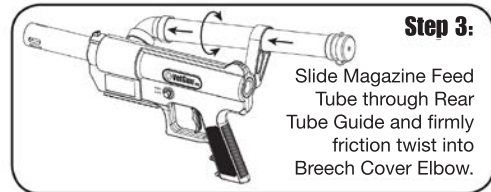
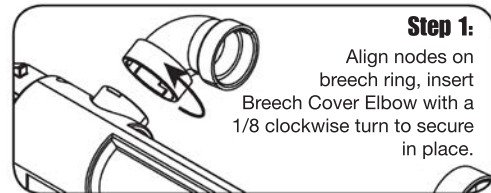
If selecting to use this CO₂ format; you will need to purchase this VetGun Cylinder. You will not need to purchase an ASA Adaptor as the VetGun Cylinder fits directly into the VetGun ASA located beneath handle. Thread the Cylinder into the ASA Adaptor and turn it tight, until the CO₂ can be heard rushing into the VetGun.

Note: turning too slowly or not tightening sufficiently may cause excessive CO₂ to escape unnecessarily. Only tighten by hand. When detaching gas, please refer to UNLOADING & DEGASSING instructions on Page 8. Once detached, Cylinder will not discharge gas, and can be re-used and/or refilled.



Install Breech Cover Elbow

Firstly, attach the Breech Cover Elbow. Then attach the Rear Tube Guide. Then Slide Magazine Feed Tube through Rear Tube Guide and firmly friction twist into Breech Cover Elbow.



PREPARING THE HERD

Every Rancher knows their own herd best. Handle the cattle as they are used to being handled - whether herding them from horseback or ATV.



IMPORTANT:

Never approach the cattle head on. Approach them at an angle so as not to present a direct "challenge" and always ensure the cattle have a clear escape route. Cattle that feel trapped are more likely to become stressed and react negatively.

Always ensure you are in a safe position where you can quickly and easily avoid any cattle that panic or become aggressive.

Always provide positive reinforcement such as a lick, blocks, cubes, hay, molasses or any other feed. This helps distract the cattle and will help offset any negative association from the VetGun sound or VetCap impact.

Use the following simple 3 step process to get the best results. Only advance to the next step once the cattle have become fully accustomed to the previous step.

STEP 1 - DISTANT DRY-FIRE: Lay down the cake or feed. Allow the cattle to move in and begin feeding. Then start off by dry-firing the VetGun (gas only, no VetCaps) at a distance of about 100 yards (91m). Gradually work your way toward the cattle while they are distracted by the lick or feed.

If the cattle show signs of nervousness, stop and wait for them to relax before resuming. If the herd continues to be nervous, stop and return for short periods on subsequent days until the herd becomes totally desensitized to the sound.

STEP 2 - FEED DRY-FIRE: Once the cattle show little reaction to the VetGun sound at a distance of 20 to 30 feet (6-9m), then on subsequent days start dry-firing the VetGun while you lay down the feed. For best results, build an association between the sound of the VetGun firing and the positive experience of introducing food.

If time is taken at the start to positively condition the cattle, they will often begin to approach you at the sound of the first VetGun shots, actively seeking out the food reward in response to the auditory stimulus.

STEP 3 - BEGIN DOSING: Once the cattle are accustomed to the sound of the VetGun and begin to associate it with the positive experience of being fed, begin dosing them with VetCaps. Using positive reinforcement ensures that over time the cattle become conditioned to the dosing process. Positively conditioned cattle become progressively easier to dose. The whole principle is similar to training a bird dog to associate the sound of a shotgun with a positive experience.

USING THE VETGUN

Double check that you have prepared the area and notified everyone involved as recommended before dosing the individual cattle.

1. Release the Safety Catch and dry fire a few shots at 20 second intervals to acclimatize the herd. Re-engage the Safety Catch.
2. When ready for use, tilt the VetGun forward and open the Magazine Tube. Load the Magazine Tube with VetCaps.
3. Tilt the VetGun as needed to ensure that a VetCap has rolled into the chamber and release the Safety Catch.
4. At a distance of 15-30ft, take aim at the upper flank of the target animal from an upwind position. Pull the Trigger and fire the VetCap.
5. Re-engage the safety catch and follow the same procedure for dosing each animal. In the event of a VetCap burst inside the VetGun, follow the cleaning procedures described in this manual.
6. Always hold VetGun level. Tilting barrel towards ground causes excessive gas pressure. See TROUBLESHOOTING Point 1 on Page 10.

Implement a farm procedural protocol through which any first and subsequent dosages are either all administered to the right flank or all administered to the left flank of the animal. This helps to identify the animals already dosed. Apply VetCaps to the upper two thirds of the flank of the animal, anywhere between the shoulders and 6 inches ahead of the tail. Always apply from an upwind position to avoid possible exposure.

EFFECTIVE APPLICATION

Once the cattle are accustomed to the dosing process, using a few simple rules will help you to maximise the effectiveness of VetCap:

- Always target the shoulder region or an area that is well muscled. This will produce minimal discomfort for the animal and keep stress low.
- Always make sure you are within range and have a clear shot at the targeted animal. Never target the head or fire when there is a chance of missing and hitting another animal in the head or eye.
- Always dose the most relaxed cattle first. Leave the more nervous animals until last and do not dose any animals that show signs of severe nervousness or aggression.
- If the herd becomes nervous or unsettled, give it a break – provide more positive reinforcement and take it slowly.
- It may take several cycles of conditioning the herd to becoming accustomed to the dosing process. By always being mindful of keeping the cattle distracted and quiet, you will achieve the best results.

UNLOADING & DE-GASSING

Always unload and de-gas the VetGun before transport or storage. While still wearing eye protection and gloves, unload any unused VetCaps from the VetGun by tilting it upward so that a VetCap in the Chamber will roll back out of the Magazine Tube. Store VetCaps in their original container, making sure it is sealed.

A. USING 25G DISPOSABLE CARTRIDGE

Once disengaged, a 25g cartridge will lose all remaining gas and not be reusable, even if disengaged with 25g Adaptor. Unthread 25g chamber & cartridge from ASA converter and dry-fire to release any excess gas or pressure. Discard cartridge safely.

B. USING 90G DISPOSABLE CANISTER

A back-check valve built into the 90g cartridge adaptor allows the CO₂ in a partially used 90g cartridge to be saved for later use. To remove a partially-used cartridge for later re-use, unthread adaptor from the VetGun with help of pliers - see sketch under Troubleshooting Section.

To remove an empty cartridge, simply unthread cartridge from ASA Adaptor.

CAUTION: Do not remove a full or partially full disposable CO₂ cartridge from its adaptor, as expanding gas may cause it to launch violently, resulting in injury. Only unscrew the adaptor from the VetGun. Only unscrew the cartridge from the adaptor when it is completely empty.

C. USING REFILLABLE 14OZ CYLINDER

Unscrew cylinder from the VetGun while dry-firing to release pressure.



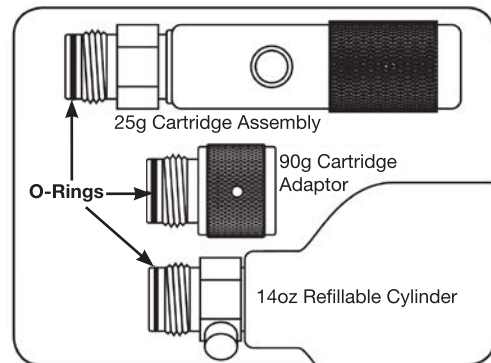
IMPORTANT: Be sure that the CO₂ cylinder's valve is unscrewing from the ASA, and that the cylinder is not unscrewing from its valve.



IMPORTANT: Even with no CO₂ cylinder attached, the VetGun may still contain enough pressurized CO₂ to fire 2 or more times. **Always dry-fire until the VetGun is completely de-pressurized.**

CHECKING ADAPTOR O-RINGS

Occasionally the o-ring on the adaptor can perish; break or split. Check the o-ring upon disengaging adaptor from the VetGun, and replace in need with correctly sized spare o-ring as supplied in VetGun box.



STORAGE

The Barrel may be removed from the VetGun by turning it counter-clockwise, and the VetCap Feeder Tube & Breech Cover Elbow can be removed also.

The VetCap shells are affected by extreme temperature and humidity. Always follow these steps to preserve the VetCaps in optimum condition:

- Store in a cool, dry location in the original sealed/resealed packaging.
- Do not expose the capsules to freezing temperatures or direct sunlight.
- After application, quickly return any unused VetCaps to their original container and reseal.
- Only load the VetGun when ready to dose.



CAUTION: The pressure level of compressed CO₂ rises with temperature. Always store CO₂ cartridges or cylinders in a cool location, away from heat sources or direct sunlight. Refillable CO₂ cylinders are equipped with a safety valve that may rupture at temperatures above 130°F (54°C), emptying the cylinder rapidly. If this occurs, stay clear of the cylinder while it vents, as the jets of released CO₂ are cold enough to cause injury, and the CO₂ may displace oxygen in an enclosed space. A ruptured safety disk must be replaced by the same pressure rating and type installed to the manufacturer's specified torque before the cylinder may be re-used.

CLEANING & LUBRICATION



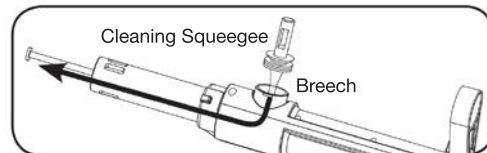
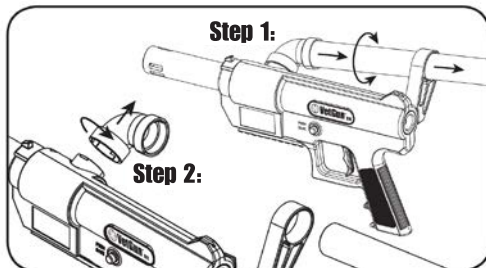
Always ensure you wear protective glasses and gloves when cleaning and maintaining your VetGun.

The efficient design of the VetGun Insecticide Delivery System requires a minimum of maintenance and allows for a simple cleaning procedure, that should only be performed every 5,000 shots or to solve a problem.

CLEANING A RUPTURED VETCAP: If a VetCap has ruptured in the VetGun, do not fire further VetCap rounds. Thoroughly clean VetGun per below instructions. Dispose of ruptured VetCap contents in accordance with Disposal instructions on AiM VetCaps box label.

Only perform cleaning and maintenance after the VetGun has been unloaded and de-gassed. Remove the barrel from the VetGun.

Remove VetCap Feeder Tube by untwisting out of Breech Cover Elbow. Remove Breech Cover Elbow from Breech Ring with a 1/8 anti-clockwise turn.



Using supplied cleaning squeegee, feed through VetGun Breech Hole and out barrel. Repeat several times until thoroughly cleaned. Do not use a screwdriver or other hard tool as it may scratch the interior of the Body causing a leak. If Squeegee resisting pull-through, apply light coat of mineral oil lubricant to squeegee discs.

LUBRICATION:

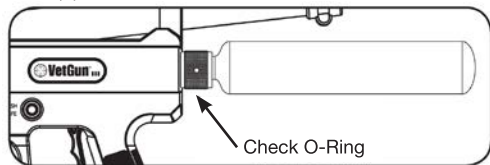


The VetGun may require initial lubrication at start of season; and/or if bolt resists or appears to stick. Drop 2 (TWO) DROPS ONLY of mineral oil in top of air supply adapter (ASA). Attach gas source. Dry fire twice (no VetCaps). This will lubricate all software that comes in contact with air (ie. bolt & cylinder). Do not over-lubricate or lubricate more often than necessary, as this may affect proper performance.

TROUBLESHOOTING

1. Gas leaks from CO₂ Adaptor connection to VetGun ASA.

Ensure Adaptor is not loose, tighten by hand. Occasionally the o-ring on the adaptor can perish; break or split. Check the o-ring upon disengaging adaptor from the VetGun, and replace in need with correctly sized spare o-ring as supplied in VetGun box.



2. VetGun fails to discharge or shots do not go far:

- In weather below 70°F (21°C) the VetGun may experience pressure drops, especially after firing multiple shots in rapid sequence. If this occurs, wait a moment for the CO₂ cartridge to warm back up, then resume operation. Do not wrap the CO₂ cartridge in cloth or other material to “keep it warm” as this will have the opposite effect, preventing it from absorbing heat from the air.
- Ensure Barrel and Breech are clean and not blocked.
- Lubricate ASA per Lubrication Instructions on previous page.
- Make sure the Barrel, Breech and internal components of the VetGun have been

thoroughly cleaned and properly lubricated and any damaged o-rings have been replaced.

- Use only VetCaps which have been properly stored and remain round and firm to the touch.
- If using a refillable CO₂ cylinder, be sure the cylinder has recently been filled.
- If using a disposable CO₂ cartridge, be sure a new cartridge is in use and that it has been inserted all the way into its adapter, piercing the seal at the end of the cartridge.

3. VetCaps arc in flight, rather than flying straight to the aim point:

This is normal, due to the relatively low velocity of the VetCaps used to prevent injury to the cattle. With a little practice, the small amount of drop in the VetCap’s flight path is easily compensated for while aiming.

4. After many VetCap applications with no problems, the VetGun delivers VetCaps with less and less force and reduced range.

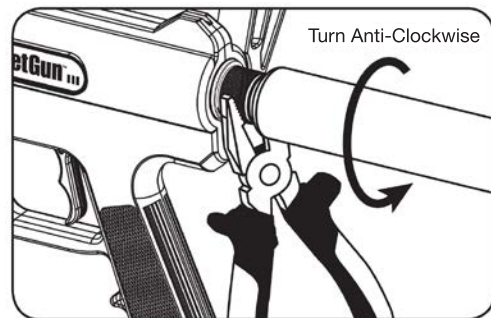
The supply of CO₂ is nearly exhausted. Unload and de-gas the VetGun, then re-load with a fresh disposable cartridge or refillable cylinder.

5. A partially used disposable CO₂ cartridge is empty after being stored for several days.

This is normal due to slow leakage around seals in VetGun and/or CO₂ adaptor o-rings. Re-load with a fresh disposable cartridge when ready to use again. See UNLOADING & DEGASSING on Page 8.

6. CO₂ Adaptor is tight and cannot be unscrewed by hand.

To remove adaptor from VetGun, un-thread adaptor from the VetGun with help of pliers. Before doing so, ensure you have read and followed all instructions and cautionary statements under the Unloading/Degassing section of Operation Manual.



7. A VetCap has ruptured in the VetGun barrel

The VetGun kit includes a cleaning squeegee. Use it according to directions to clean out the barrel. If the squeegee is not readily available, remove all VetCaps and the Feeder Tube, then dry fire 3-4 shots to clear the barrel of any residue or pieces of the broken shell. Always point the VetGun in a safe direction, follow instructions in the VetGun Operation manual and **never look down the barrel!**

8. VetCaps bounce off animal or do not fragment upon impact

VetCaps may bounce off animal un-ruptured. Once VetCaps packaging seal is broken, they become susceptible to the elements so cannot be stored indefinitely. If they've been removed from packaging and not used straight away, they can humidify quickly. Remove from packaging and load VetGun just before ready to use. If inadvertently exposed to high heat and humidity for any extended period of time over 1 hour, the capsules can normally be restored to ideal conditions by placing them (exposed) for 24 to 72 hours in cool & dry conditions where relative humidity is between 20% and 50% and temperatures do not exceed 70F, before resealing back in packaging. Refer separate VetCaps label for full instructions.

9. VetCaps rupture in or exiting barrel.

Per Point 8 above and AiM Packaging label, VetCaps are susceptible to ambient conditions, and need to be stored, transported and used within certain temperature and humidity parameters. VetCaps that are rupturing in or exiting the barrel have likely been exposed to dry conditions <30% humidity and have become brittle. They can normally be restored to ideal conditions by placing them (exposed) for 24 to 72 hrs in conditions where humidity is 30%-70%; and temperatures 50-80F, before resealing back in packaging. Refer separate VetCaps label for full instructions.

WARRANTY & REPAIRS

Warranty : Limited 1 year Warranty
(Warranty only valid if VetGun registered via QR Code/NFC decal on VetGun3).

For 1 (one) year from date of purchase, we will repair or replace this VetGun free of charge if defective due to materials or workmanship. This warranty gives you specific legal rights. You may also have other rights which may vary from state to state.

Service is available by calling:

Customer Service / Technical Support at 1-888-727-8125.

If advised to return your VetGun, you will be given a return authorization number and shipping address. The return authorization number must be marked clearly on the outside of the shipping package to be accepted.

DO NOT return any products via non-trackable services such as regular mail or parcel post. Such products may become lost and neither SmartVet nor Huvepharma will be responsible for replacement.

Out of Warranty, Repairs, Spares:

For spare parts and repair of out of warranty VetGuns, you should first call: **1-888-727-8125.**



INSECTICIDE DELIVERY SYSTEM



Distributed by:
Huvepharma
St. Joseph, Missouri, USA
Tel : 1-800-542-8916 or 816-233-9533

© Copyright 2020. All Rights Reserved.

developed by:



distributed by:



SMA0038-20-D-NewVG3-V1- Elbow&TubeSeparatePieces